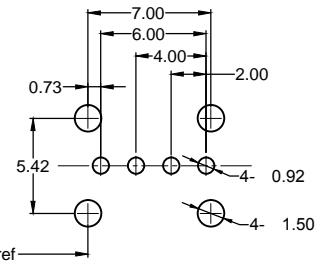
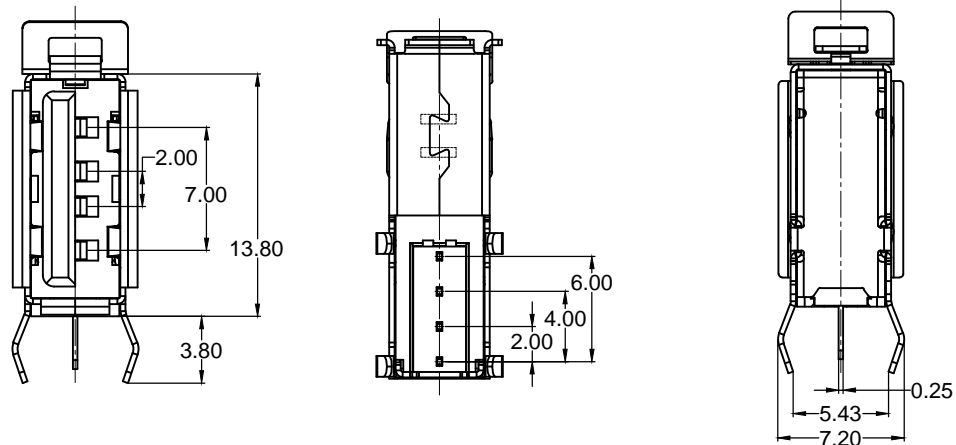


PROFILE OF CONECTOR

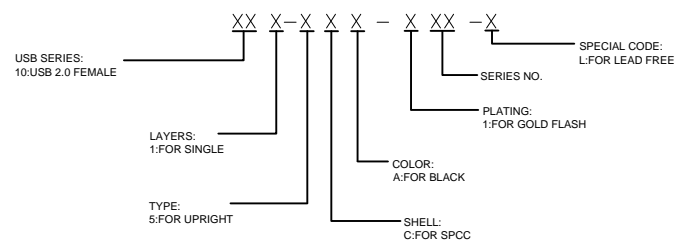


PCB LAYOUT(TOP VIEW)  
TOLERANCE:±0.05mm

- NOTES:
- MATERIAL:
    - HOUSING: PBT, UL94 V-0, COLOR: BLACK
    - COVER: LCP, UL94 V-0, COLOR: BLACK
    - CONTACTS: BRASS C2680
    - SHELL: SPCC
    - SPRING: SUS304
  - PLATING:
    - CONTACTS: AU(GOLD FLASH) PLATING ON CONTACT AREA. TIN(80u"MIN.) PLATED. NI (50u"MIN.) PLATING OVER ALL.
    - SHELL: NICKEL(50u" MIN.) PLATING OVER ALL.
  - SPECIFICATION:
    - CONTACT CURRENT RATING: 1.0 Amps. 30V AC
    - DIELECTRIC WITHSTANDING VOLTAGE: AC 500 V r. m. s.
    - INSULATION RESISTANCE: 1000M MIN. at 250V DC
    - CONTACT RESISTANCE: 30 MINI OHM MAX (INITIAL).



HOW TO ORDER



廷奕科技股份有限公司  
VITETECH CO., LTD

REV.	ECN.NO.	APP.	DATE
A	Official Publish	Alan	Aug/28/08

RoHS COMPLIANT			
DIMENSION CLASSIFICATION			
◎:CRITICAL ○:MAJOR ( ):REFERENCE			
REVISED	A		
DRAW	CHK'D	APPROVE	DATE
KENJI	ANNY	ALAN	Aug/11/08'

PRODUCT CUSTOMER COPY	
SCALE	SHEET
1:1	
GENERAL TOLERANCE	
X.	.X ±0.38
.XX ±0.38	
.XXX ±0.35	
X.'	.X'

PART NO: 101-5CA-101-L  
DWG NAME:  
**USB AF 4P 90° UPRIGHT TYPE  
W/20° SHORT SPRING**