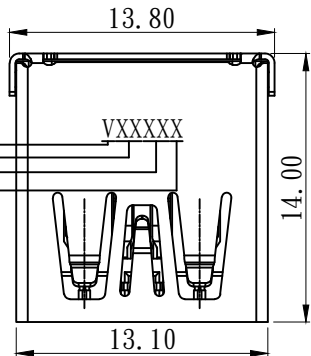


LOGO  
年数的后两位。如2013为“13”  
周数“01.....13”  
DAY“1....7”星期一至星期日



Pin #	SIGNAL NAME	DESCRIPTION	MATING SEQUENCE
1	VBUS	POWER	SECOND
2	D-	USB 2.0 DIFFERENTIAL PAIR	THIRD
3	D+		
4	GND	GROUND FOR POWER RETURN	SECOND
5	StdA_SSRX-	SUPERSPEED RECEIVER DIFFERENTIAL PAIR	LAST
6	StdA_SSRX+		
7	GND_DRAIN	GROUND FOR SIGNAL RETURN	LAST
8	StdA_SSTX-	SUPERSPEED TRANSMITTER DIFFERENTIAL PAIR	
9	StdA_SSTX+		
Shell	Shield	CONNECTOR METAL SHELL	FRIST

NOTES:

1. MATERIAL:

- 1.1 Housing: LCP UL94V-0, Color:BLUE 300C
- 1.2 Contact: C2680, (T=0.20mm.)
- 1.3 Shell: SUS201, (T=0.30mm.)

2. PLATING:

- 2.1 Contact: Pd/Ni 30u" + Au 2u" Plated on Contact Area, Matt-Sn 80u" Plated on Solder Tails. Ni 50u" min UnderPlated.
- 2.2 Shell: Ni 40u" min Plated All Over

3. MECHANICAL CHARACTERISTIC

- 3.1 Mating Force: 35N Max
- 3.2 Unmating Force: 10N~25N Min
- 3.3 Durability: 5000 Cycles.

4. ELECTRICAL CHARACTERISTIC

- 4.1 Contact current Rating: 1.8 Amperes for pin1&pin4. 0.25 Amperes other contacts
- 4.2 Contact Resistance: 30m Ohm Max.
- 4.3 Insulation Resistance: 1000M Ohm Min
- 4.4 Dielectric Withstanding Voltage: 500V AC Min

5. TEMPERATURE

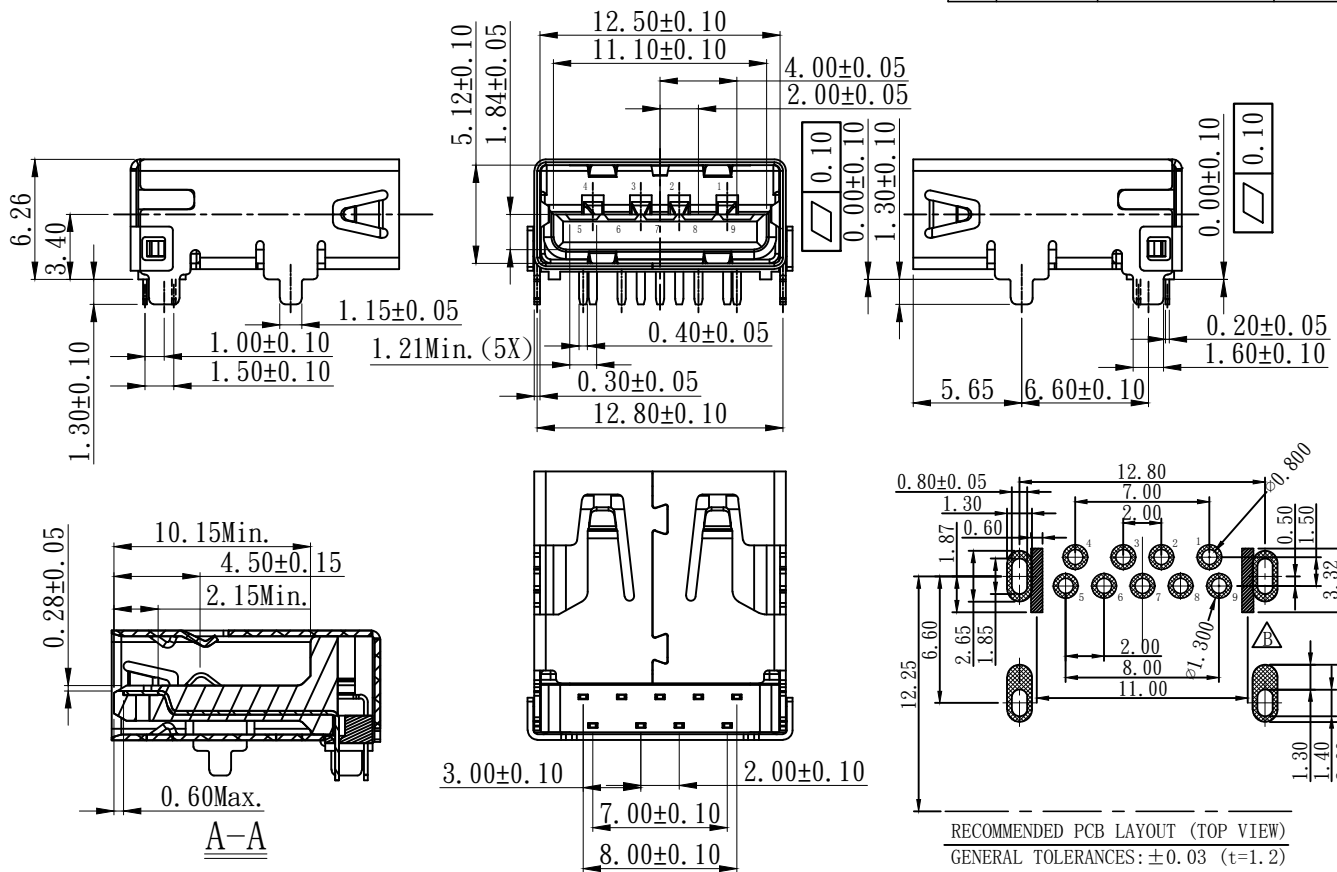
- 5.1 Openrating Temperature: -40° C~+85° C

6. SALT SPRAY 48HR PASS

PART:

- 14 1 - 1 1 B - 8 32 - H
- 14 : USB 3.0 FEMALE
- 1 : FOR SINGLE
- 1 : FOR 90° DIP
- 1 : FOR SUS201
- B : FOR BLUE 300C
- 8 : FOR Pd/Ni 30u" + Au 2u"
- 32 : SERIES NO.

H : FOR LEAD/HALOGEN FREE



RECOMMENDED PCB LAYOUT (TOP VIEW)  
GENERAL TOLERANCES: ±0.03 (t=1.2)

廷奕科技股份有限公司  
VITETECH CO., LTD

REV.	ECN.NO.	APP.	DATE
A	Official Publish	OW	JUN/12/17
B	Official Publish	Sonia	DEC/08/17

RoHS COMPLIANT			
DIMENSION CLASSIFICATION			
◎:CRITICAL ⊗:MAJOR ( ):REFERENCE			
REVISED	A		
DRAW	CHK'D	APPROVE	DATE
OW	JACK	ALAN	JUN/12/17

PRODUCT CUSTOMER COPY	
SCALE	SHEET
1:1	
GENERAL TOLERANCE	
X. ±0.50	.X ±0.40
.XX ±0.35	
.XXX ±0.05	
X.'	.X'

PART NO: 141-11B-832-H  
DWG NAME:  
USB3.0 AF REV CL3.40mm  
L14.0mm H6.26 DIP TYPE