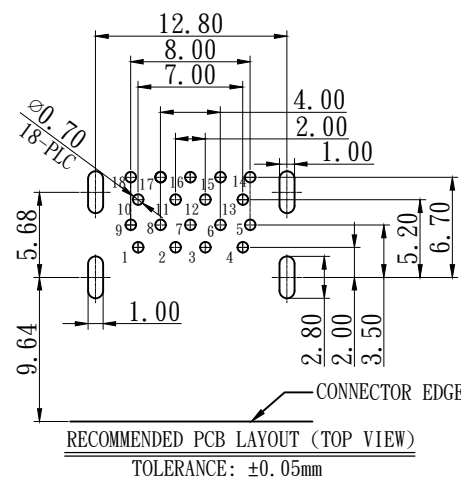
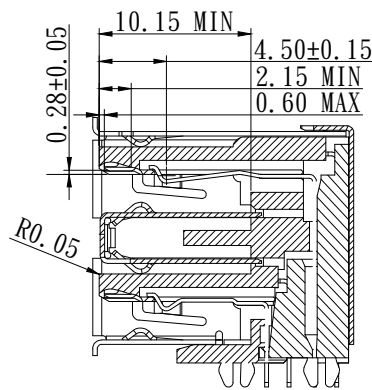
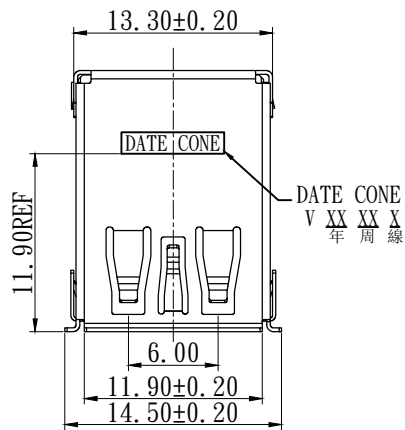


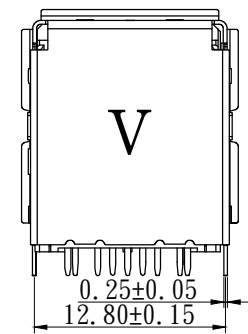
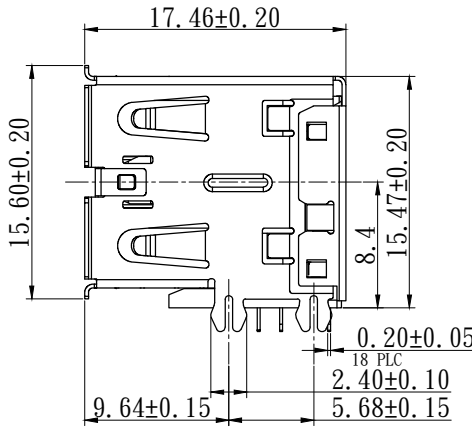
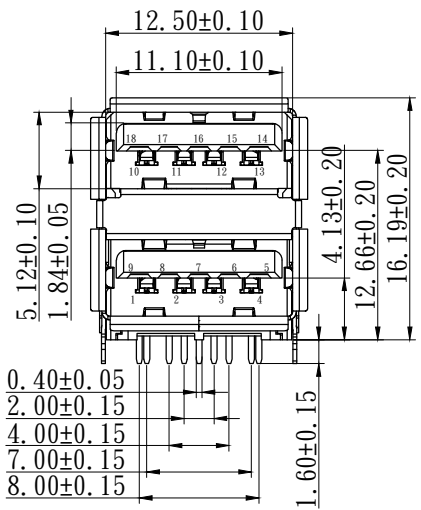
A

A



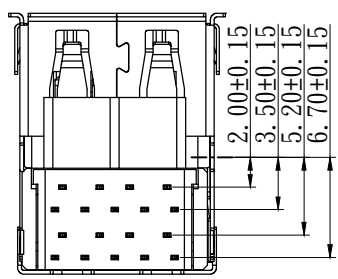
B

B

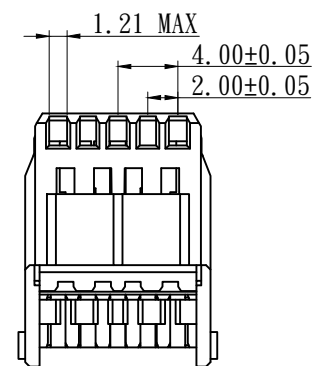


C

C



USB 2.0 CONTACT PINS		USB 3.0 CONTACT PINS	
Pin NUMBER	SIGNAL NAME	Pin NUMBER	SIGNAL NAME
1	10	5	14
2	11	6	15
3	12	7	16
4	13	8	17
Shell	Shield	9	18
			StdA_SSRX-
			StdA_SSRX+
			GND_DRAIN
			StdA_SSTX-
			StdA_SSTX+



- NOTES:
- MATERIAL:
 - HOUSING: PA9T UL 94V-0, COLOR: BLUE. 300C
 - COVER: LCP UL 94V-0, COLOR: BLUE. 300C
 - CONTACT: C2680R (T=0.20mm)
 - SHELL: SUS201 (T=0.25mm)
 - MIDDLE SHELL: SUS201 (T=0.20mm)
 - FINISH:
 - CONTACT: Au(15u") PLATED ON CONTACT AREA, MATTE TIN(100u" MIN.) PLATED ON SOLDER TALLS, NICKEL(50u" MIN.) NICKEL UNDERPLATING OVER ALL.
 - SHELL: NICKEL(50u" MIN.) PLATING OVERALL
 - ELECTRICAL:
 - CONTACT RESISTANCE:
 - 30 mΩ (MAX) INITIAL FOR VBUS AND GND CONTACTS
 - 50 mΩ (MAX) INITIAL FOR OTHER CONTACTS
 - CURRENT RATING:
 - VBUS & GND PINS: 1.8Amps MAX PER PIN;
 - OTHER PINS: 0.25A/PIN;
 - DIELCTRIC WITHSTANDING VOLTAGE:
 - 100V AC FOR 1 MINUTE.
 - INSULATION RESISTANCE: 100 MΩ MIN
 - MECHANICAL CHARACTERISTICS:
 - MATING FORCE: 35N MAX
 - UNMATING FORCE: 10~35N
 - DURABILITY: 5000 CYCLES.
 - OPERATING TEMPERATURES: -20° C TO +85° C
 - RESISTANCE TO REFLOW SOLDERING HEAT: 260° +0/-5° , 10S.
 - SALT SPRAY 48HR PASS
- PART:
- 14 2 - 1 1 B - 5 24 - H
- 14 : USB 3.0 FEMALE
- 2 : FOR TWO LAYERS
- 1 : FOR 90° DIP
- 1 : FOR SUS201
- B : FOR BLUE. 300C
- 5 : PLATING FOR 15u"
- 24 : SERIES NO.
- H : FOR LEAD/HALOGEN FREE

D

D

廷奕科技股份有限公司
VITETECH CO., LTD

REV.	ECN. NO.	APP.	DATE
A	Official Publish	OW	MAY/25/11
B	Official Publish	Sonia	JUL/26/19

RoHS COMPLIANT			
DIMENSION CLASSIFICATION			
Ⓞ : CRITICAL		Ⓜ : MAJOR () : REFERENCE	
REVISED	A	APPROVE	DATE
DRAW	CHK'D		
OW	JACK	ALAN	MAY/25/11

PRODUCT CUSTOMER COPY	
SCALE	SHEET
1:1	
GENERAL TOLERANCE	
X. ±0.50	.X ±0.25
.XX ±0.20	
.XXX ±0.05	
X.'	.X'

PART NO:	142-11B-524-H
DWG NAME:	Double USB3.1 Gen1 AF 90° 15.47H