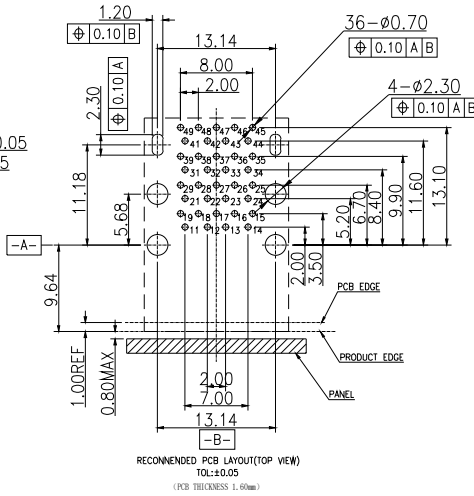


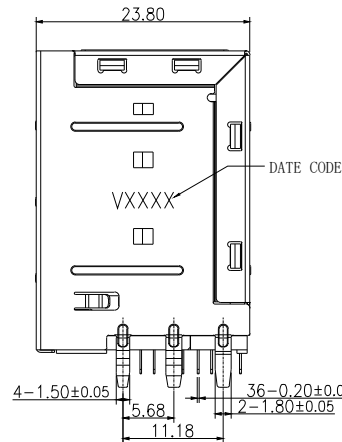
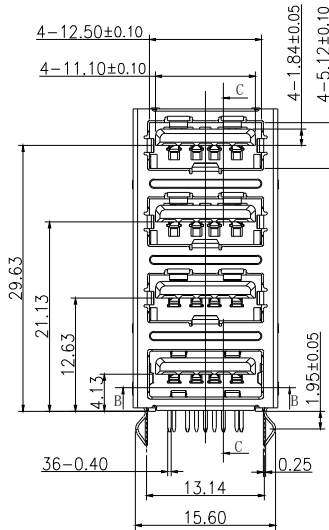
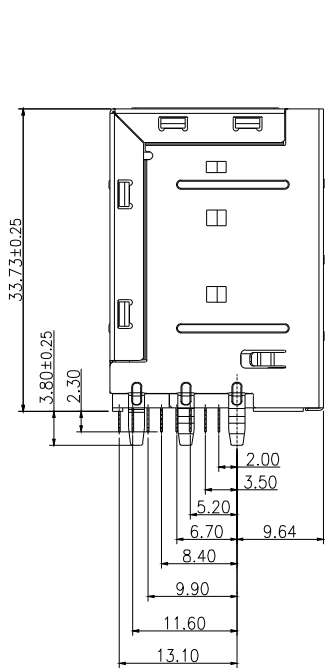
剖面 B-B



RECOMMENDED PCB LAYOUT(TOP VIEW)  
TOL:±0.05  
(PCB THICKNESS 1.60mm)

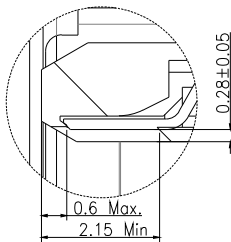
NOTES:

- MATERIAL:
  - HOUSING: PA66+30%G. F, UL94 V-0, COLOR: BLACK.
  - COVER: LCP UL94 V-0, COLOR: BLACK.
  - CONTACTS: BRASS C2680 (T=0.20mm)
  - FRONT SHELL: SUS304 (T=0.25mm)
  - BACK SHELL: SUS304 (T=0.25mm)
  - IN SHELL: SUS304 (T=0.30mm)
- PLATING:
  - CONTACTS: Ni(50U" MIN.) UNDER PLATING OVERALL Sn(100U" MIN.) PLATING ON SOLDER AREA Pd/Ni(30u" MIN.)+Au(2u" MIN.) PLATING ON CONTACT AREA
  - SHELL: Ni(30U") Sn(80U") PLATING OVERALL
  - BACK SHELL: NON PLATING
  - IN SHELL: NON PLATING
- MECHANICAL CHARACTERISTICS:
  - MATING FORCE: 35N MAX.
  - UNMATING FORCE: 10N MIN ~35N MAX.
  - DURABILITY: 1500 CYCLE.

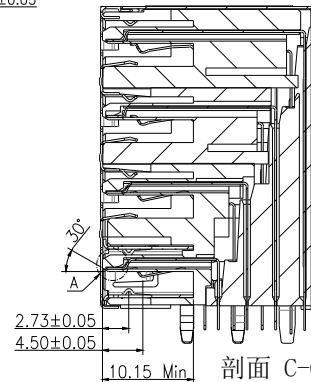


DATE CODE

VXXXX



"A" 6:1



剖面 C-C

PART NO.

14 4 - 1 1 A - 8 04 - H

14 : USB 3.0 FEMALE  
4 : LAYERS FOR FOUR LAYERS

1 : TYPE FOR 90° DIP  
1 : SHELL FOR SUS304  
A : COLOR FOR BLACK

8 : PLATING FOR Pd/Ni 30u"+Au 2u"  
04 : SERIES NO.

H : FOR LEAD/HALOGEN FREE

USB3.0 Pin Assignments

|             |                   |            |            |           |            |            |    |    |    |
|-------------|-------------------|------------|------------|-----------|------------|------------|----|----|----|
| Pin Number  | 41                | 42         | 43         | 44        |            |            |    |    |    |
| Pin Number  | 31                | 32         | 33         | 34        | 45         | 46         | 47 | 48 | 49 |
| Pin Number  | 21                | 22         | 23         | 24        | 35         | 36         | 37 | 38 | 39 |
| Pin Number  | 11                | 12         | 13         | 14        | 25         | 26         | 27 | 28 | 29 |
| Signal Name | VBUS              | D-         | D+         | GND       | 15         | 16         | 17 | 18 | 19 |
| Remark      | USB2.0 Contac Pin | STDA_SSRX- | STDA_SSRX+ | GND_DRAIN | STDA_SSTX- | STDA_SSTX+ |    |    |    |

廷奕科技股份有限公司  
VITETECH CO., LTD

|      |                  |       |           |                                |       |         |           |                       |     |
|------|------------------|-------|-----------|--------------------------------|-------|---------|-----------|-----------------------|-----|
| REV. | ECN.NO.          | APP.  | DATE      | RoHS COMPLIANT                 |       |         |           | PRODUCT CUSTOMER COPY |     |
| A    | Official Publish | OW    | MAY/25/11 | DIMENSION CLASSIFICATION       |       |         |           | SCALE                 | 1:1 |
| B    | Official Publish | Sonia | JUL/24/17 | ⊙:CRITICAL ⊕:MAJOR <:REFERENCE |       |         |           | SHEET                 |     |
| C    | Official Publish | Sonia | QCT/24/17 | REVISED                        | A     |         |           | GENERAL TOLERANCE     |     |
|      |                  |       |           | DRAW                           | CHK'D | APPROVE | DATE      | X.±0.50 .X ±0.25      |     |
|      |                  |       |           | OW                             | JACK  | ALAN    | MAY/25/11 | .XX ±0.20             |     |
|      |                  |       |           |                                |       |         |           | .XXX ±0.05            |     |
|      |                  |       |           |                                |       |         |           | X.' .X'               |     |

PART NO: 144-11A-804-H

DWG NAME:

4層USB3.0 90 DIP