

Pin Assignments And Mating Sequence:

| | | | |
|-----|--------|-----|--------|
| A1 | GND | B12 | GND |
| A2 | SSTXP1 | B11 | SSRXP1 |
| A3 | SSTXN1 | B10 | SSRXN1 |
| A4 | VBUS | B9 | VBUS |
| A5 | CC1 | B8 | SBU2 |
| A6 | DP1 | B7 | DN2 |
| A7 | DN1 | B6 | DP2 |
| A8 | SBU1 | B5 | CC2 |
| A9 | VBUS | B4 | VBUS |
| A10 | SSRXN2 | B3 | SSTXN2 |
| A11 | SSRXP2 | B2 | SSTXP2 |
| A12 | GND | B1 | GND |

NOTES:

1. MATERIAL:

- 1.1 HOUSING: LCP, UL94 V-0 COLOR: BLACK
- 1.2 CONTACTS: C7035 (T=0.15mm)
- 1.3 SHELL: SUS304 (T=0.15mm)
- 1.4 LATCH: SUS301 (T=0.35mm)
- 1.5 SPRING SHEET: SUS301 (T=0.10mm)
- 1.6 INSULATOR: LCP UL94 V-0 COLOR: BLACK
- 1.7 COVER: LCP UL94 V-0 COLOR: BLACK

2. PLATING:

- 2.1 CONTACT: Au(GOLD FLASH) PLATING ON OVERALL
Ni(50u" MIN.) UNDER PLATING OVERALL
Tin(80u" MIN.) PLATING ON SOLDER TALLS
- 2.2 SHELL: Ni PLATING OVERALL
- 2.3 LATCH: Ni(50u" MIN.) PLATING
Tin(80u" MIN.) PLATING
- 2.4 SPRING SHEET: Ni PLATING OVERALL

3. SPECIFICATION

- 3.1 CURRENT RATING: 3.0A MAX.
- 3.2 VOLTAGE: 100 VAC.
- 3.3 CONTACT RESISTANCE: 40 MILLIONHM MAX.
- 3.4 INSULATION RESISTANCE: 100MΩ Min
- 3.5 OPERATING TEMPERATURE: -30℃ ~85℃

4. MECHANICAL CHARACTERISTICS:

- 2.1 MATING FORCE: 5~20 N.
- 2.2 UNMATED FORCE:
8~20N(INITIAL), 6~20N(AFTER 10000 CYCLES)
- 2.3 FREQUENCE: 200±50 CYCLES/HOUR, 10000 CYCLES.

PART NO.

1C 1 - 2 3 A - 1 19 - L

1C : USB TYPE C

1 : FOR SINGLE

2 : TYPE FOR 180° DIP

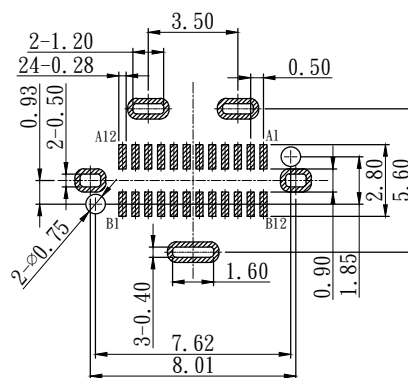
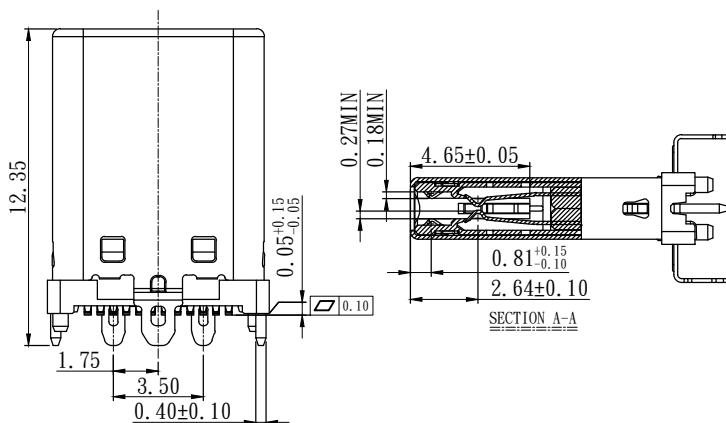
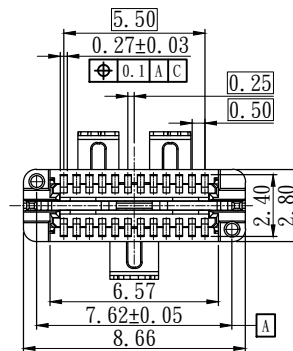
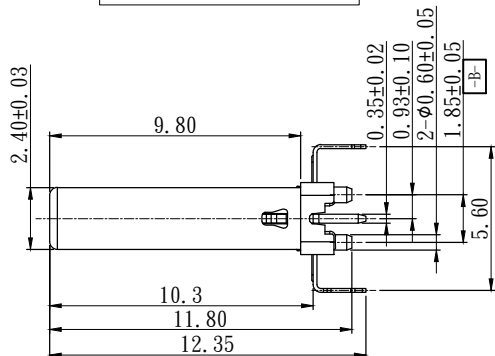
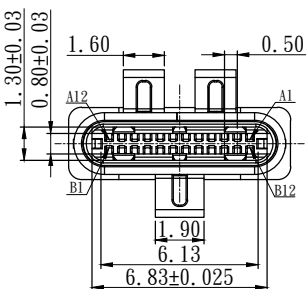
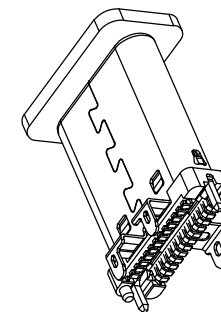
3 : SHELL FOR SUS304

A : COLOR FOR BLACK

1 : PLATING FOR GOLD FLASH

19 : SERIES NO.

L : FOR LEAD FREE



RECOMMENDED PCB LAYOUT(t=0.80±0.05)
COMPONENT SIDE(GENERAL TOLERANCE:±0.05)

廷奕科技股份有限公司
VITETECH CO., LTD

| REV. | ECN. NO. | APP. | DATE |
|------|------------------|------|-----------|
| A | Official Publish | OW | DEC/07/18 |

| RoHS COMPLIANT | | | |
|---|--------|---------|-----------|
| DIMENSION CLASSIFICATION | | | |
| ◎: CRITICAL ◉: MAJOR (): REFERENCE | | | |
| REVISED | A | APPROVE | DATE |
| DRAW | CHK' D | JACK | ALAN |
| OW | JACK | ALAN | DEC/07/18 |

| PRODUCT CUSTOMER COPY | |
|-----------------------|----------|
| SCALE | 1:1 |
| SHEET | |
| GENERAL TOLERANCE | |
| X. ±0.50 | .X ±0.40 |
| .XX ±0.35 | |
| .XXX ±0.05 | |
| X.' | .X' |

| | |
|-----------|-----------------------|
| PART NO: | 1C1-23A-119-L |
| DWG NAME: | TYPE C 3.1 24P 11.10H |