

NOTES:

1. MATERIAL:

- 1.1 HOUSING: LCP, UL94V-0, COLOR: BLACK
- 1.2 CONTACT: C2680
- 1.3 SHELL: SUS201

2. PLATING:

- 2.1 CONTACT:
GOLD FLASH PLATING ON CONTACT AREA
TIN(80u" MIN.) PLATING ON SOLDER TAILS
NI(50u" MIN.) UNDER PLATING OVERALL
- 2.2 SHELL: NI(50u" MIN.) PLATING OVERALL

3. MECHANICAL:

- 3.1 INSERTION: 5~20N.
- 3.2 EXTRACTION: 8~20N AFTER TEST.
- 3.3 DURABILITY: 10000 CYCLES

4. ELECTRICAL:

- 4.1 CURRENT: 5A FOR VBUS;
1.25A FOR GND PIN; 0.25A FOR OTHER.
- 4.2 VOLTAGE: 20 V MAX
- 4.3 WITHSTANDING VOLTAGE: 100V AC R. M. S.
- 4.4 CONTACT RESISTANCE: 40mΩ MAX.
- 4.5 INSULATION RESISTANCE: 100MΩ MIN.

5. TEMPERATURE RANGE: -25°C ~ +85°C

PART NO:

1C 1 - 3 1 A - 1 21 - L

1C : USB C TYPE

1 : FOR SINGLE

3 : FOR 90° SMT

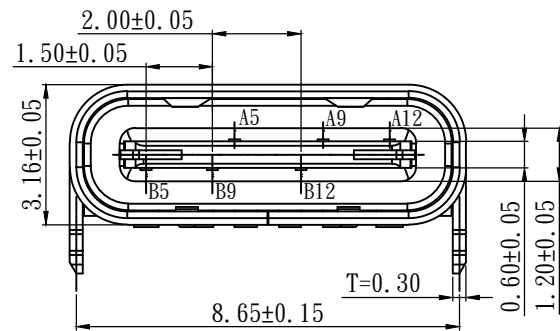
1 : FOR SUS201

A : FOR BLACK

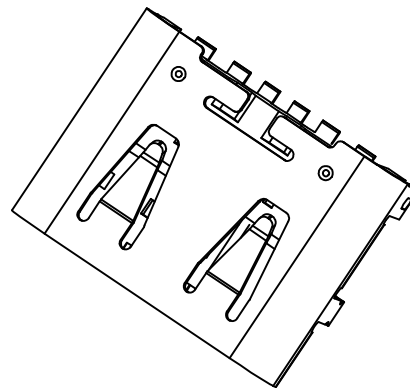
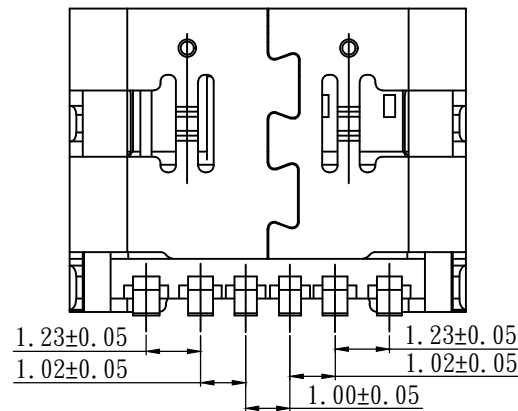
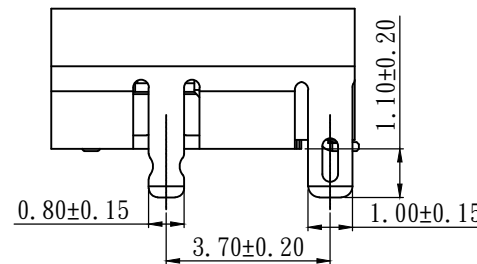
1 : FOR GOLD FLASH

21 : SERIES NO.

L : FOR LEAD FREE



RECOMMENDED P.C.B LAYOUT
TOLERANCE: ±0.05



B12	GND
B9	VBUS
B5	CC2
A5	CC1
A9	VBUS
A12	GND
PIN	SIGNAL NAME

廷奕科技股份有限公司
VITETECH CO., LTD

REV.	ECN. NO.	APP.	DATE
A	Official Publish	OW	MAY/25/11

RoHS COMPLIANT

DIMENSION CLASSIFICATION
◎: CRITICAL ⊕: MAJOR (): REFERENCE

REVISED	A	APPROVE	DATE
DRAW	CHK' D	JACK	ALAN
OW	JACK	ALAN	MAY/25/11

PRODUCT CUSTOMER COPY	
SCALE	1:1
SHEET	
GENERAL TOLERANCE	
X. ±0.50	.X ±0.40
.XX ±0.35	
.XXX ±0.05	
X.'	.X'

PART NO: 1C1-31A-121-L
DWG NAME: TYPE C 6PIN RA 3.16H