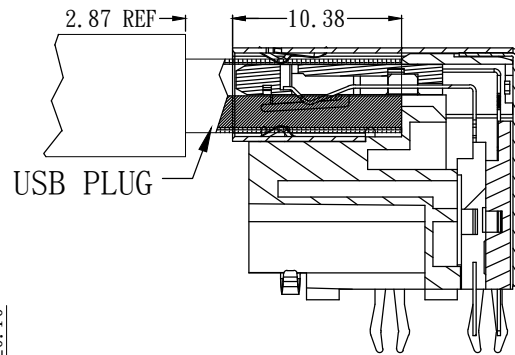
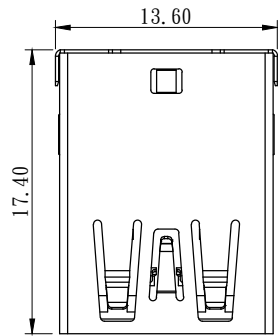


A



Contact Number	Signal Name
PIN1	VBUS
PIN2	D-
PIN3	D+
PIN4	GND
PIN5	StdA_SSRX-
PIN6	StdA_SSRX+
PIN7	GND_DRAIN
PIN8	StdA_SSTX-
PIN9	StdA_SSTX+
Shell	Shield

NOTE:

1. MATERIAL:

- 1.1 HOUSING: PA66+30G.F UL94-V0, COLOR: BLUE 298C
- 1.2 MOLDING HOUSING: PA66+30G.F UL94-V0, COLOR: BLUE 298C
- 1.3 TERMINAL: BRASS (T=0.20mm)
- 1.4 FRONT SHELL: SUS304(T=0.30mm)
- 1.5 BACK SHELL: SUS304(T=0.20mm)

2. PLATING SPECIFICATION:

2.1 USB 3.1 TERMINAL:

Ni 50u"Min. UNDER PLATED,
Au 15u"Min PLATED ON THE CONATCT AREA.
AND MATTE TIN100u"Min. PLATED ON THE SOLDER TALL.

2.2 FRONT SHELL

Ni 30u" Min. UNDER PLATED ON SOLDER AREA,
MATTE TIN 60u: Min. PLATED ON SOLDER AREA.

2.3 BACK SHELL: CLEANING.

3. MECHANICAL CHARACTERISTICS:

- 3.1 INSERTION FORCE: 3.5kgf Max.
- 3.2 WITHDRAWAL FORCE: 1.0kgf Min. INTIALLY
- 3.3 DURABILITY: 5,000 CYCLES

4. ELECTRICAL CHARACTERISTICS:

- 4.1 CONTACT RESISTANCE: 30mΩ Max FOR INITIAL.
- 4.2 CONTACT CURRENT RATING: 1.8A FOR VBUS AND GND PIN;
OTHER PINS:0.25A/PIN
- 4.3 DIELECTRIC WITHSTANDING VOLTAGE: 100V AC R. M. S.
- 4.4 INSULATION RESISTANCE 100MΩ Min
- 4.5 OPERATING TEMPERATURE: -40° C ~ 85° C

5. WAVE SOLDER:

THE CONNECTOR SHALL BE MOUNTED ON THE PCB,
THE TEMPERATURE OF THE SOLDER SHALL BE
270° C AND IMMERSION DURATION 10 SECONDS.

PART:

1D 1 - 1 3 L - 5 06 - L

1D : USB3.1

1 : FOR SINGLE

1 : FOR 90° DIP

3 : FOR SUS304

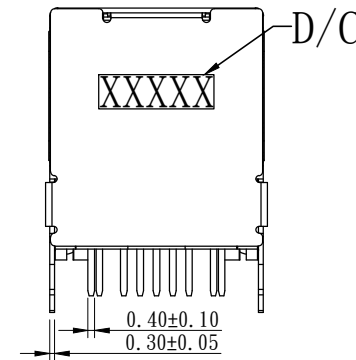
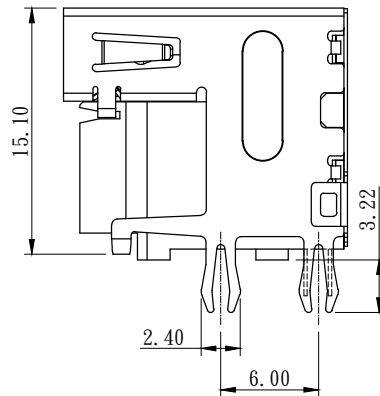
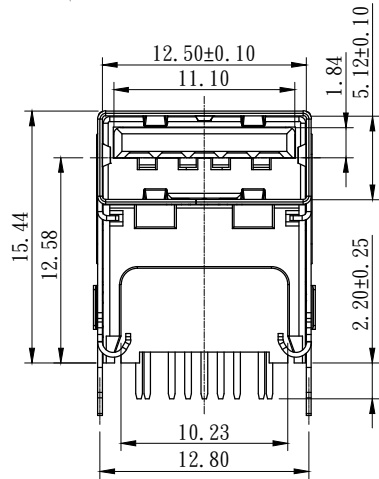
L : FOR LIGHT BLUE 298C

5 : FOR 15u"

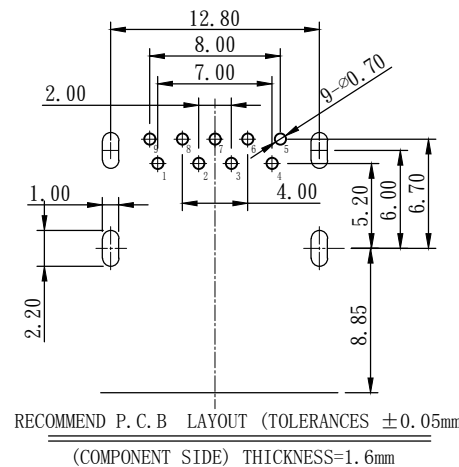
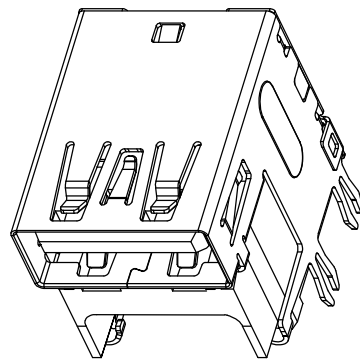
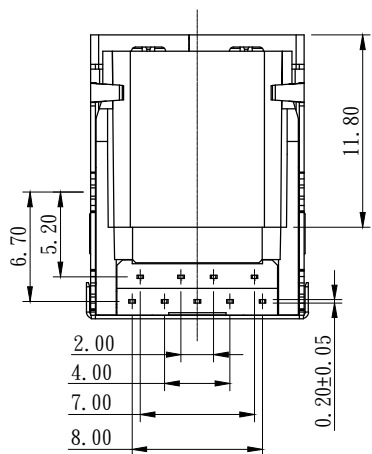
06 : SERIES NO.

L : FOR LEAD FREE

B



C



D

廷奕科技股份有限公司
VITETECH CO., LTD

REV.	ECN. NO.	APP.	DATE
A	Official Publish	OW	MAY/25/11
B	Official Publish	Sonia	SET/27/19

RoHS COMPLIANT

DIMENSION CLASSIFICATION
◎:CRITICAL ⊕:MAJOR ():REFERENCE

REVISED	A	APPROVE	DATE
DRAW	CHK'D	JACK	ALAN
OW	JACK	ALAN	MAY/25/11

PRODUCT CUSTOMER COPY

SCALE 1:1 SHEET



GENERAL TOLERANCE

X. ±0.50 .X ±0.40

.XX ±0.35

.XXX ±0.05

X.' .X'

UNIT:mm

PART NO: 1D1-13L-506-L

DWG NAME:

USB 3.1 A/F 90° 架高
DIP CH=12.58mm

1

2

3

4