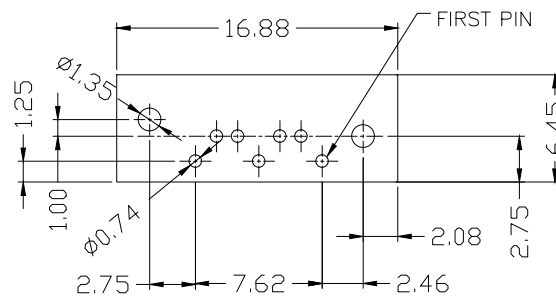
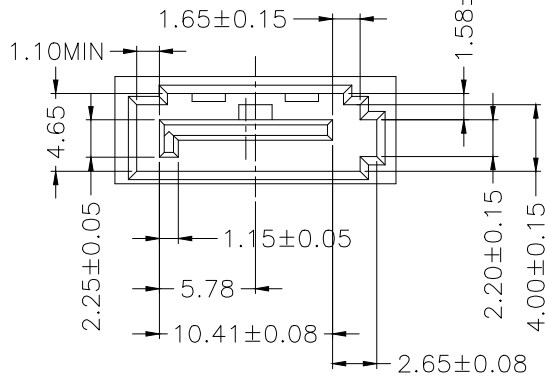
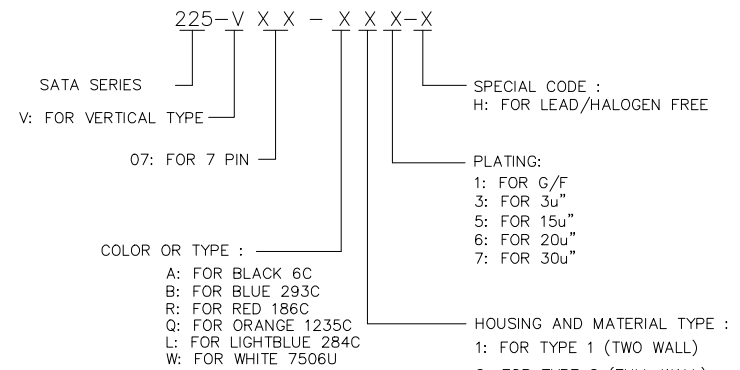


NOTES:

1. Material:
 - 1.1 HOUSING : PA66+30%GF (UL94 V-0)
COLOR : SEE ORANGE INFORMATION
 - 1.2 TERMINAL : BRASS C2680-H
 - 1.3 LATCH : SPCC, T=0.25MM
2. FINISH:
 - 2.1 TERMINAL : 50u" MIN. NICKEL UNDERPLATING OVERALL
100u" TIN PLATING ON SOLDER AREA
GOLD PLATING ON CONTACT AREA
 - 2.2 LATCH : 50u" MIN. NICKEL UNDERPLATING OVERALL
100u" TIN PLATING OVERALL
3. SPECIFICATION
 - 3.1 CURRENT RATING : 1.0 A
 - 3.2 VOLTAGE RATING : 50VDC PER CONTACT
 - 3.3 CONTACT RESISTANCE (LOW LEVERL): 30m OHM MAX. INITIAL
 - 3.4 INSULATION RESISTANCE: 1000M OHM MIN INITIAL
 - 3.5 DIELECTRIC WITHSTANDING VOLTAGE: 500VAC 1 Min
 - 3.6 CONNECTOR MATING FORCE: 4.5KgF MAX
UNMATING FORCE: 1.0KgF MIN
 - 3.7 DURABILITY: 50 CYCLES
 - 3.8 OPERATING TEMPERATURE: -55deg C TO 85deg C
4. ALL DIMENSION MADE * MUST BE CONTROLLED BY QC.
5. RoHS compliant.

HOW TO ORDER



P.C.B LAYOUT(TOP VIEW)
TOLERANCE: ±0.05

延奕科技股份有限公司
VITETECH CO., LTD

REV.	ECN.NO.	APP.	DATE
A	Official Publish	Alan	Aug/11/08
B	EC#V100703	Alan	Jul/22/10'

RoHS COMPLIANT			
DIMENSION CLASSIFICATION			
REVISED	B	MAJOR	REFERENCE
DRAW	CHK'D	APPROVE	DATE
KENJI	ANNY	ALAN	Jul/22/10'

PRODUCT	CUSTOMER	COPY
SCALE	1:1	SHEET
GENERAL TOLERANCE		
X.	X	±0.38
.XX	±0.25	
.XXX	±0.05	
X.'	X'	

PART NO: 225-V07-Q21-X
DWG NAME:
SATA VERTICAL 7P DIP SERIES (FULL WALL)