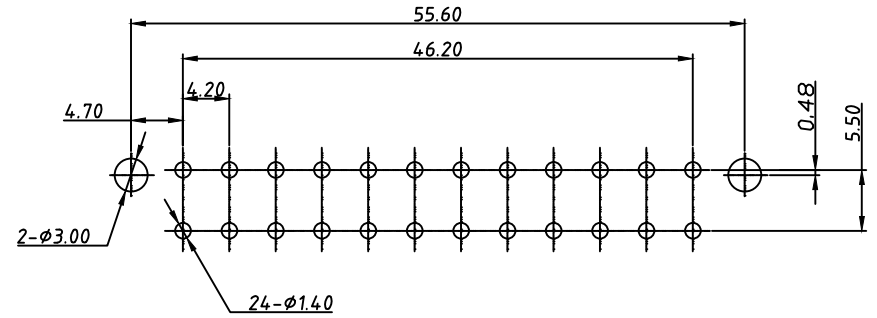


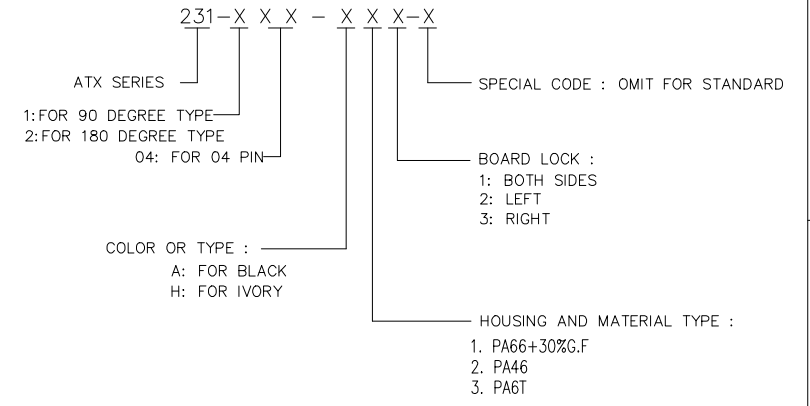
**NOTE**  
 1. SPECIFICATIONS  
 1.1 VOLTAGE RATING: 250V DC/AC  
 1.2 CURRENT RATING: 8A DC/AC  
 1.3 CONTACT RESISTANCE: 20mΩ MAX  
 1.4 INSULATION RESISTANCE: 1000MΩ MIN  
 1.5 WITHSTANDING VOLTAGE: 500V AC FOR 1MIN  
 1.6 TEMPERATURE RANGE: -55°C ~ +85°C  
 2. MATERIAL  
 2.1 HOUSING: THERMOPLASTIC, UL 94V-0  
 2.2 CONTACT: BRASS  
 2.3 FINISH: SN 120U" UNDERPLATED NI 50U" OVER ALL



P.C.B LAYOUT(TOP VIEW)  
 TOLERANCE: ±0.05

SECTION A-A  
 SCALE 1:1

HOW TO ORDER



延奕科技股份有限公司  
 VITETECH CO., LTD

REV.	ECN.NO.	APP.	DATE
A	Official Publish	Alan	Aug/26/09

RoHS COMPLIANT			
DIMENSION CLASSIFICATION			
⊙: CRITICAL    ⊕: MAJOR    < : REFERENCE			
REVISED	A		
DRAW	CHK'D	APPROVE	DATE
KENJI	ANNY	ALAN	Aug/11/08'

PRODUCT	CUSTOMER COPY
SCALE: 1:1	SHEET
GENERAL TOLERANCE	
X.0.5	.X ±0.35
.XX ±0.25	
.XXX ±0.05	
X.'	.X'
UNIT:MM	

PART NO: 231-224-H31-X
DWG NAME:
ATX POWER 24PIN W/POST