

NOTES:

1. MATERIAL:

- 1.1 HOUSING: PA6T COLOR: RED 187C
- 1.2 CONTACTS: BRASS
- 1.3 SHELL: BRASS
- 1.4 MYLAR: KAPTON FILM, COLOR: YELLOW.

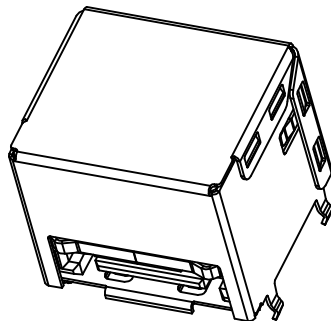
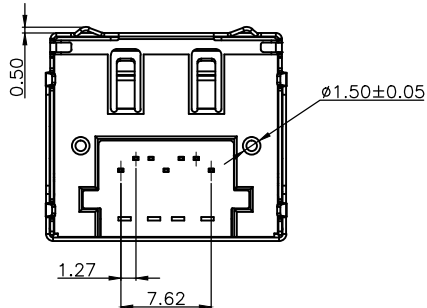
2. PLATING:

- 2.1 CONTACTS: NICKEL(50u"MIN.) UNDERPLATING OVERALL TIN(80u"MIN.) PLATING ON SOLDER AREA AU(15U" MIN.) PLATING ON CONTACT AREA
- 2.2 SHELL: NICKEL(50U"MIN.) PLATING OVERALL

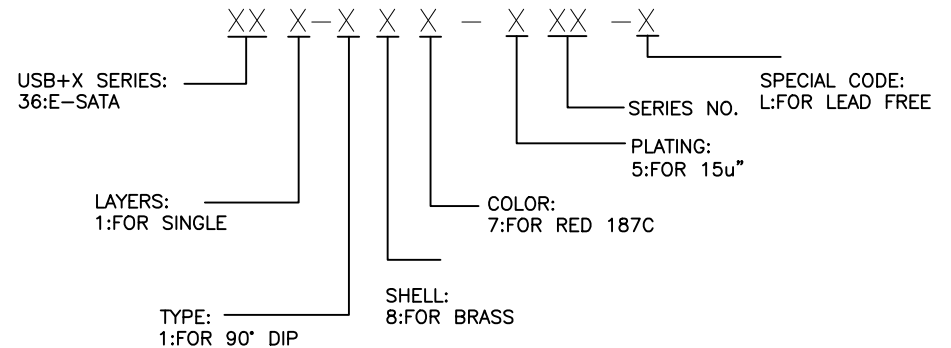
3. SPECIFICATION:

- 3.1 CONTACT CURRENT RATING: 1.5 A
- 3.2 INSULATION RESISTANCE: 1000Megohms min
- 3.3 INSERTION FORCE:45N MAX WITHDRAWAL FORCE:10N MIN
- 3.4 CONTACT RESISTANCE:35 mΩ MAX
- 3.5 DIELECTRIC WITHSTANDING VOLTAGE: AC 500V r. m. s.
- 3.6 OPERATING TEMPERATURE: -40°C to +85°C

RECOMMEND P.C.B LAYOUT  
T=1.60 TOLERANCE:±0.05



E-SATA	
NAME	TYPE
S1	GND
S2	A+
S3	A-
S4	GND
S5	B-
S6	B+
S7	GND



廷奕科技股份有限公司  
VITETECH CO., LTD

REV.	ECN.NO.	APP.	DATE
B	Official Publish	Emily	MAY/15/11

RoHS COMPLIANT			
DIMENSION CLASSIFICATION			
© :CRITICAL Ⓜ :MAJOR ( ):REFERENCE			
REVISED	B		
DRAW	CHK'D	APPROVE	DATE
Alan	Jack	Emily	MAY/15/11

PRODUCT CUSTOMER COPY	
SCALE	SHEET
1:1	
GENERAL TOLERANCE	
X.±0.50	.X ±0.40
.XX ±0.38	
.XXX ±0.35	
X.'	.X'

PART NO: 361-187-516-L
DWG NAME:
E-SATA 90度 DIP 型