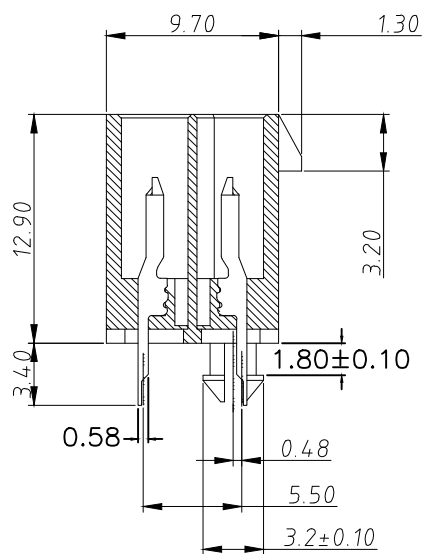
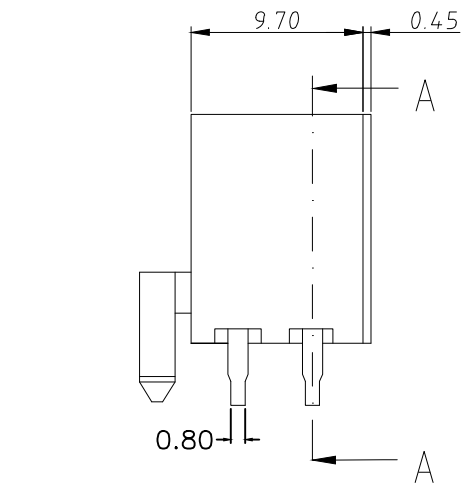


P.C.B LAYOUT(TOP VIEW)

TOLERANCE:± 0.05



SECTION A-A

SCALE 1:1

NOTE:

2. MATERIAL

2.1 HOUSING: THERMOPLASTIC, PA6T UL 94V-0 COLOR: IVORY

2.2 CONTACT: BRASS

2. PLATING:

2.1 CONTACT: Sn(120u" MIN.) PLATING OVER

Ni(50u" MIN.) UNDER PLATING OVERALL

1. SPECIFICATIONS

1.1 VOLTAGE RATING: 250V DC/AC

1.2 CURRENT RATING: 8A DC/AC

1.3 CONTACT RESISTANCE: 20mΩ MAX

1.4 INSULATION RESISTANCE: 1000MΩ MIN

1.5 WITHSTANDING VOLTAGE: 500V AC FOR 1MIN

1.6 TEMPERATURE RANGE: -55°C ~ +85°C

PART NO.

63 2 - H 04 - 2 14 - H

63 : ATX PITCH 4.20mm

2 : TYPE FOR 180° DIP

H : COLOR FOR IVORY

04 : PIN FOR 4 PIN

2 : BOARD LOCK FOR LEFT

15 : SERIES NO.

H : FOR LEAD/HALOGEN FREE

廷奕科技股份有限公司  
VITETECH CO., LTD

REV.	ECN.NO.	APP.	DATE
A	Official Publish	Alan	Aug/26/09

RoHS COMPLIANT			
DIMENSION CLASSIFICATION			
Ⓞ: CRITICAL Ⓜ: MAJOR < >: REFERENCE			
REVISED	CHK'D	APPROVE	DATE
A			
DRAW	CHK'D	APPROVE	DATE
KENJI	ANNY	ALAN	Aug/11/08'

PRODUCT CUSTOMER COPY	
SCALE	SHEET
1:1	
GENERAL TOLERANCE	
X.0.50	.X ±0.35
.XX ±0.25	
.XXX ±0.05	
X.'	.X'

PART NO: 632-H04-214-H
DWG NAME:
ATX 4PIN LEFT