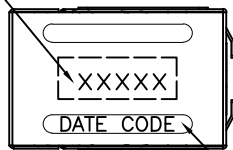
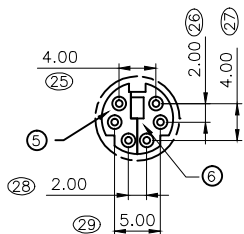


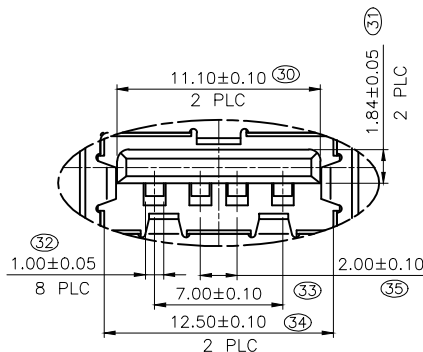
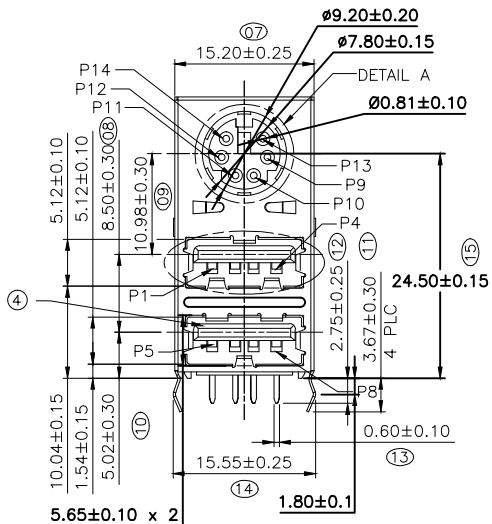
LOGO區印字以標準印塊字為準



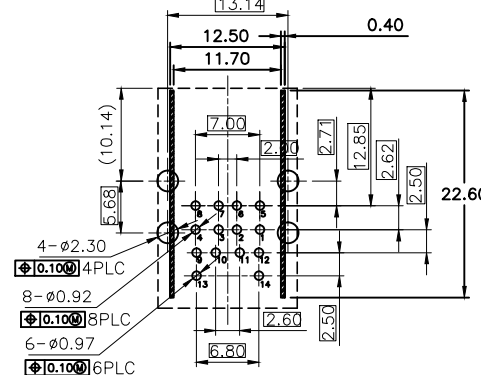
DATE CODE



DETAIL A



DETAIL B  
SCALE 2:1  
13.14



RECOMMENDED PCB LAYOUT

TOLERANCE: ±0.05  
TOP VIEW

NOTES:

1. MATERIAL:

- 1.1 MID HOUSING: PBT, UL94 V-0, COLOR: PURPLE 2715C
- USB HOUSING: LCP, UL94 V-0, COLOR: BLACK
- COVER HOUSING: PBT, UL94 V-0, COLOR: BLACK
- 1.2 MID CONTACTS: BRASS C2680 (T=0.20)
- USB CONTACTS: BRASS C2680 (T=0.25)
- 1.3 SHELL: SUS430 (T=0.25)

2. PLATING:

- 2.1 CONTACTS:  
NICKEL(50u" MIN.) UNDER PLATING OVERALL  
TIN(100u" MIN.) PLATING ON SOLDER AREA  
AU(GOLD FLASH.) PLATING ON CONTACT AREA
- 2.2 SHELL:  
NICKEL(20u" MIN.) UNDER PLATING OVERALL  
TIN(60u" MIN.) PLATING ON KINK MATTE

3. SPECIFICATION:

- 3.1 CONTACT CURRENT RATING: 1.0 Amp
- 3.2 DIELECTRIC WITHSTANDING VOLTAGE: 500V AC
- 3.3 INSULATION RESISTANCE: 1000MΩ MIN.
- 3.4 CONTACT RESISTANCE: 30 mΩ MAX.
- 3.5 OPERATING TEMPERATURE: -20°C to +70°C

PART NO.

70 2 - 1 3 2 - 1 06 - L

70 : DOUBLE USB2.0 + MID

2 : TYPE FOR MID IS ABOVE USB

1 : SPRING FOR WITH SPRING

3 : SHELL FOR SUS430

2 : COLOR FOR ALL-PURPLE

1 : PLATING FOR GOLD FLASH

06 : SERIES NO.

L : FOR LEAD FREE

廷奕科技股份有限公司  
VITETECH CO., LTD

REV.	ECN.NO.	APP.	DATE
B	Official Publish	HD	NOV/25/13

RoHS COMPLIANT			
DIMENSION CLASSIFICATION C : CRITICAL M : MAJOR ( ) : REFERENCE			
REVISED	B		
DRAW	CHK'D	APPROVE	DATE
HD	Jack	Emily	NOV/25/13

PRODUCT	CUSTOMER COPY
SCALE 1:1	SHEET
GENERAL TOLERANCE X. ±0.50 .X ±0.45 .XX ±0.35 .XXX ±0.05 X.' .X'	
UNIT:MM	

PART NO: 702-132-106-L
DWG NAME: MID + DOUBLE USB2.0