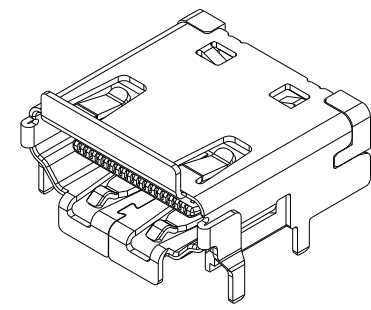
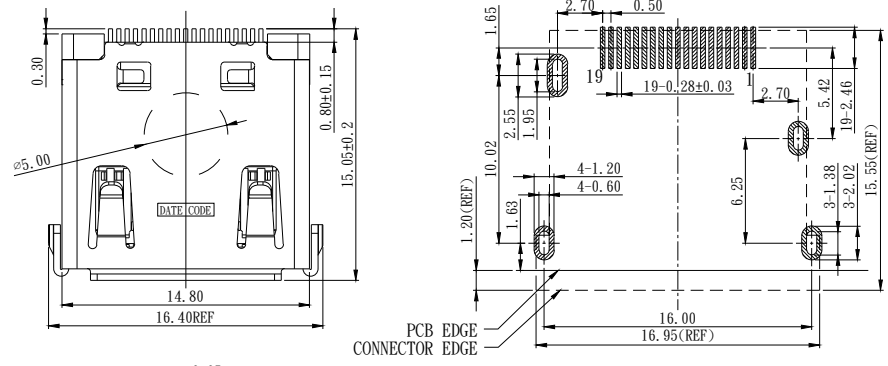
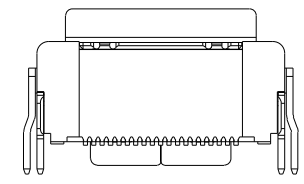
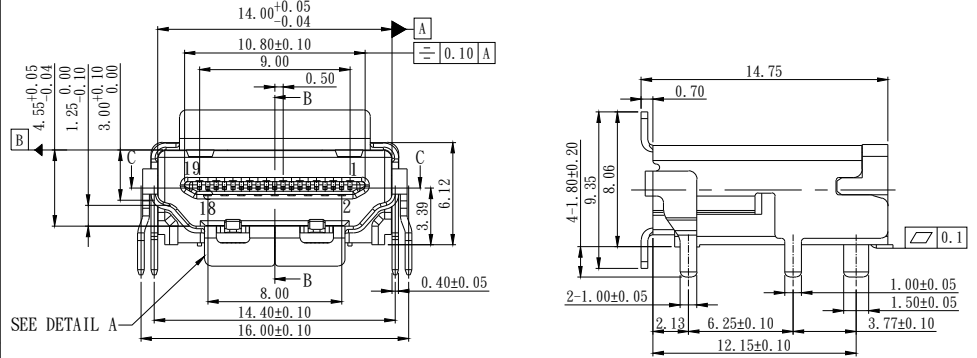


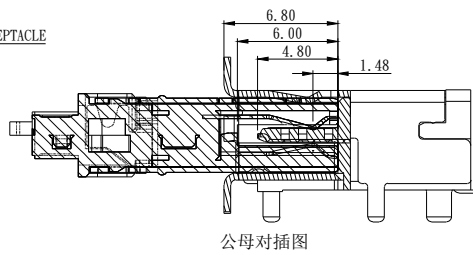
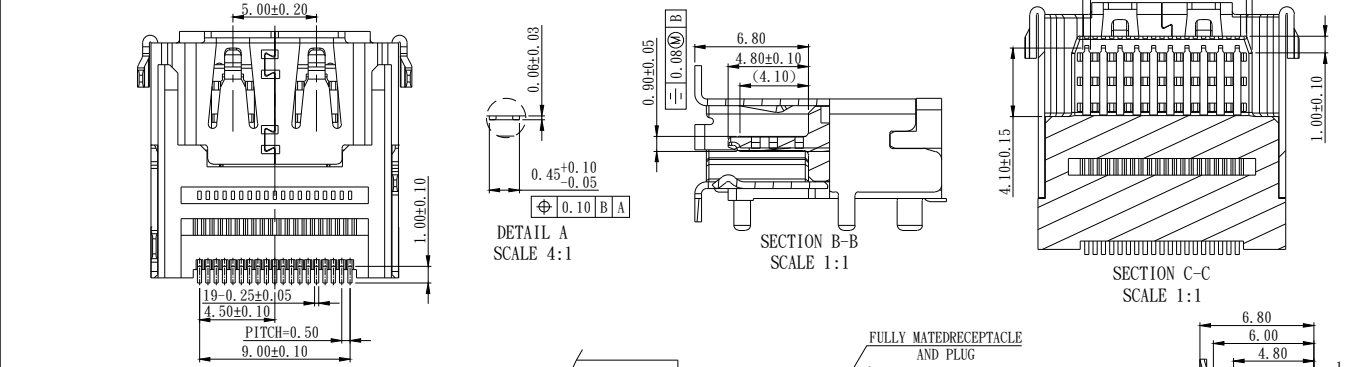
A



B



C



NOTES:

- MATERIAL:
 - INSULATOR: LCP UL 94V-0 COLOR: BLACK
 - CONTACT: C2680 (T=0.20mm)
 - SHELL: SUS304 (T=0.4mm)
 - PLATING SPECIFICATION:
 - CONTACTS:
 - Ni (50u" MIN.) UNDER PLATED
 - GOLD FLASH PLATED ON CONTACT AREA.
 - Sn (80u" MIN.) PLATED ON SOLDER TAILS.
 - FRONT SHELL:
 - Ni (50u" MIN.) UNDER PLATED OVER ALL.
 - ELECTRICAL CHARACTERISTIC:
 - LOW LEVEL CONTACT RESISTANCE: 30mΩ MAX.
 - DIELECTRIC WITHSTANDING VOLTAGE:
 - 300 VAC BETWEEN ADJACENT TERMINAL OR GROUND, No Breakdown
 - INSULATION RESISTANCE: 100MΩ MIN.
 - MECHANICAL CHARACTERISTIC:
 - INSERTION FORCE: 44.1N MAX.
 - EXTRACTION FORCE:
 - INITIAL: 9.8N~39.2N.
 - AFTER 2001 TO 10000 CYCLES: 4.9N~39.2N.
- PART NO:
- 92 9 - 3 3 A - 1 33 - L
- 92 : HDMI
- 9 : FOR 19 PIN
- 3 : FOR 90° SMT
- 3 : FOR SUS304
- A : FOR BLACK
- 1 : FOR GOLD FLASH
- 33 : SERIES NO.
- L : FOR LEAD FREE

D

PIN	SIGNAL ASSIGNMENT	PIN	SIGNAL ASSIGNMENT	PIN	SIGNAL ASSIGNMENT
1	TMDS DATA2+	8	TMDS DATA0 SHIELD	15	SCL
2	TMDS DATA2 SHIELD	9	TMDS DATA0-	16	SDA
3	TMDS DATA2-	10	TMDS CLOCK+	17	DDC/CEC GROUND
4	TMDS DATA1+	11	TMDS CLOCK + SHIELD	18	+5V POWER
5	TMDS DATA1 SHIELD	12	TMDS CLOCK-	19	HOT PLUG DETECT
6	TMDS DATA1-	13	CEC		
7	TMDS DATA0+	14	UFILIFY/HEAC+		

廷奕科技股份有限公司
VITETECH CO., LTD

REV.	ECN. NO.	APP.	DATE	RoHS COMPLIANT				PRODUCT CUSTOMER COPY	
A	Official Publish	OW	MAY/25/11	DIMENSION CLASSIFICATION ◎: CRITICAL ⊕: MAJOR (): REFERENCE				SCALE	1:1
				REVISED	A			SHEET	
				DRAW	CHK'D	APPROVE	DATE	GENERAL TOLERANCE X. ±0.50 .X ±0.40 .XX ±0.35 .XXX ±0.05 X.' .X'	
				OW	JACK	ALAN	MAY/25/11	UNIT: mm	

PART NO: 929-33A-133-L

DWG NAME: HDMI 19P AF SMT 6.12H