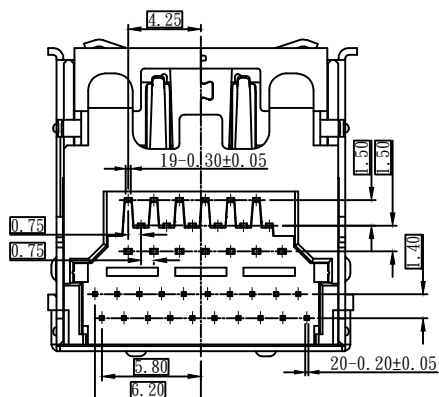
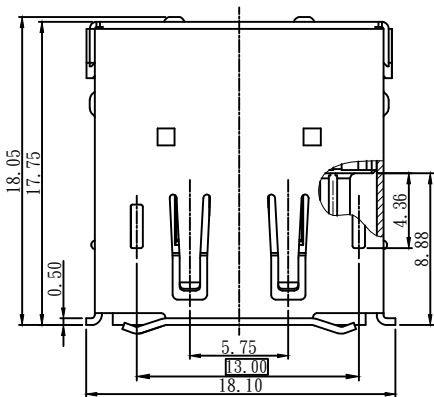
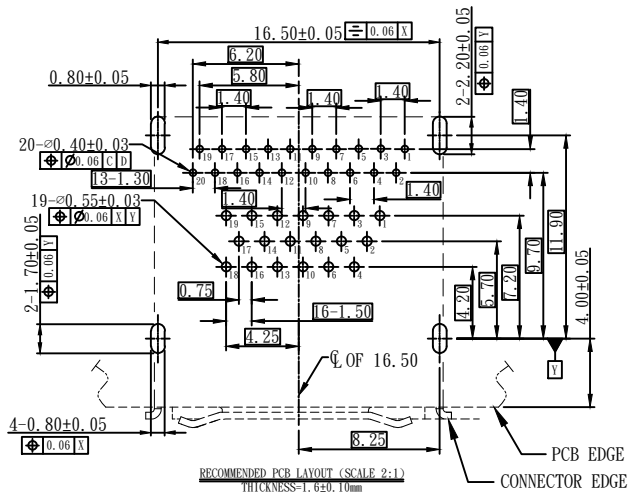


A

A

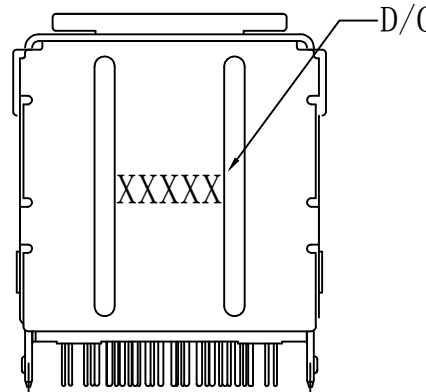
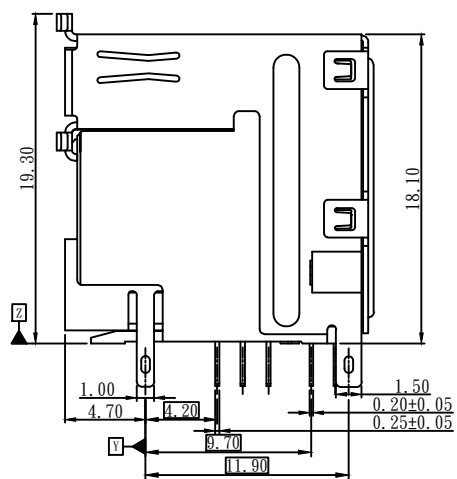


B VIEW  
SCALE 1:1



B

B



C

C

D

D

NOTE:

- 1. MATERIAL:
  - 1.1 HOUSING: PBT UL94 V-0; COLOR: BLACK
  - 1.2 SPACER: PBT UL94 V-0; COLOR: BLACK
  - 1.3 HDMI CONTACT: COPPER ALLOY
  - 1.4 DISPLAYPORT CONTACT: COPPER ALLOY
  - 1.5 DISPLAYPORT SHELL: COPPER ALLOY
  - 1.6 HDMI SHELL: COPPER ALLOY
  - 1.7 BACK SHELL: STEEL
- 2. PLATING
  - 2.1 CONTACT: GOLD FLASH PLATING ON CONTACT AREA Sn(80u" MIN.) PLATING ON SOLDER AREA Ni(50u" MIN.) UNDER PLATING OVERALL
  - 2.2 SHELL: Ni(80u" MIN.) PLATING OVERALL
  - 2.3 BACK SHELL: Cu(50u" MIN.) UNDER PLATING OVERALL Ni(80u" MIN.) PLATING OVERALL
- 3. ELECTRICAL CHARACTERISTICS:
  - 3.1 CONTACT CURRENT RATING: 0.5A MAX.
  - 3.2 VOLTAGE RATING: 40V AC(RMS)
  - 3.3 WITHSTANDING VOLTAGE: 300V AC(RMS)
  - 3.4 INSULATION RESISTANCE: 150V DC
- 4. MECHANICAL:
  - 4.1 MATING FORCE :44.1N MAX
  - 4.2 UNMATING FORCE:9.8N MIN, 39.2N MAX
- 5. OPERATING TEMPERATURE: -25°C~+85°C.

PART NO:

HD P - B B A - 1 03 - L  
 HD : HDMI+DISPLAYPORT  
 P : FOR PBT

B : FOR COPPER ALLOY  
 B : FOR COPPER ALLOY  
 A : BOTH FOR BLACK

1 : FOR GOLD FLASH  
 03 : SERIES NO.

L : FOR LEAD FREE

廷奕科技股份有限公司  
 VITETECH CO., LTD

REV.	ECN. NO.	APP.	DATE
A	Official Publish	OW	MAY/25/11

RoHS COMPLIANT			
DIMENSION CLASSIFICATION			
◎: CRITICAL    ⊕: MAJOR    ( ): REFERENCE			
REVISED	A		
DRAW	CHK' D	APPROVE	DATE
OW	JACK	ALAN	MAY/25/11

PRODUCT CUSTOMER COPY	
SCALE	1:1
SHEET	
GENERAL TOLERANCE	
X. ±0.50	.X ±0.40
.XX ±0.35	
.XXX ±0.05	
X.'	.X'

PART NO:	HDP-BBA-103-L
DWG NAME:	HDMI+DP FEMALE DIP TYPE