

1

2

3

4

A

A

B

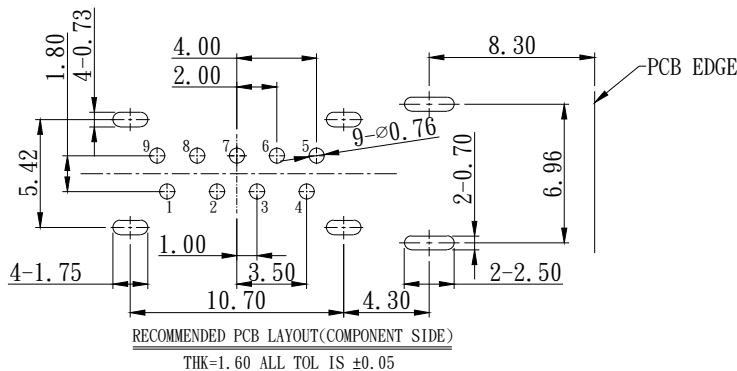
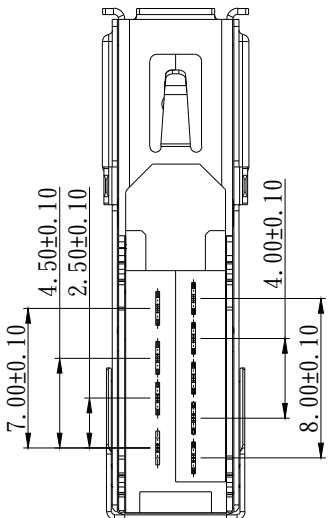
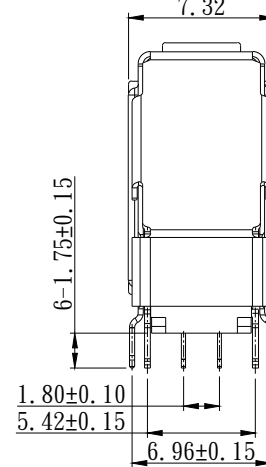
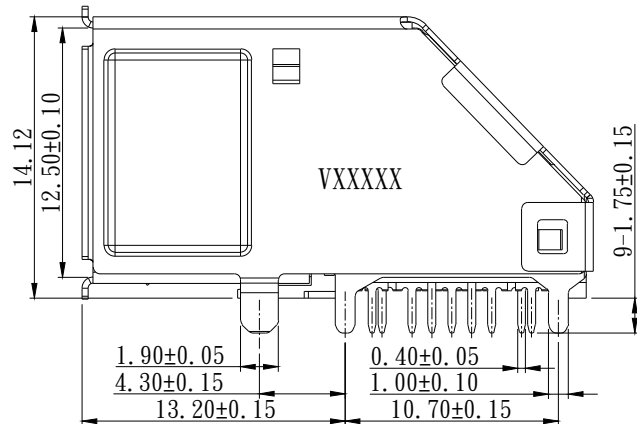
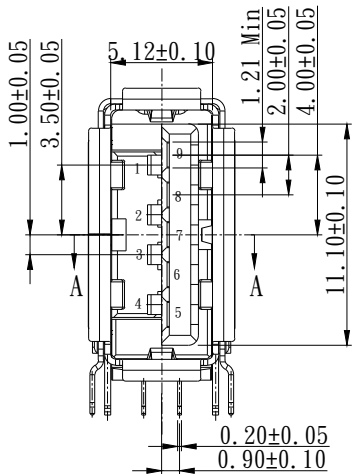
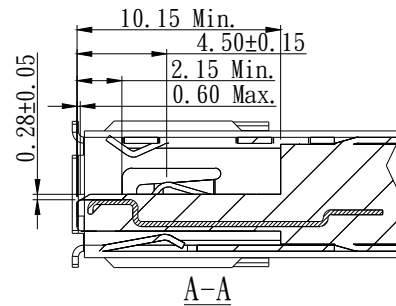
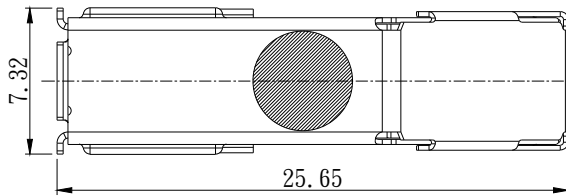
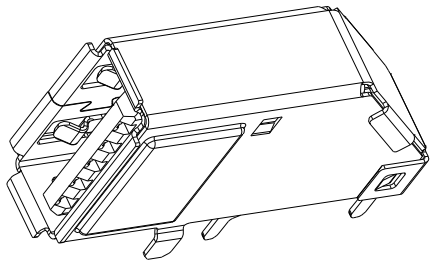
B

C

C

D

D



PIN	SIGNAL ASSIGNMENT
PIN 1	VBUS
PIN 2	D-
PIN 3	D+
PIN 4	GND
PIN 5	StdA-SSRX-
PIN 6	StdA-SSRX+
PIN 7	GND-DRAIN
PIN 8	StdA-SSTX-
PIN 9	StdA-SSTX+

NOTES:

- MATERIAL:
  - Housing: LCP. UL94V-0, COLOR: BLUE 300C.
  - Contact 2.0: C5191, (T=0.2mm)
  - Contact 3.0: C2680, (T=0.2mm)
  - Shell: SUS201, (T=0.3mm.)
- PLATING:
  - Contact:
    - Au Plated on Contact Area,
    - Tin (80u") Plated on Solder Tails.
    - Ni (30u" min) UnderPlated.
  - Shell: Ni 50u"min Plated All Over
- MECHANICAL CHARACTERISTIC
  - Mating Force: 35N max.
  - Unmating Force: 10N min.
  - Durability: 5000 Cycles.
- ELECTRICAL CHARACTERISTIC
  - CONTACT CURRENT RATING:
    - 1.8A FOR VBUS PIN AND GND PIN.
    - 0.25A MIN FOR ALL OTHER CONTACTS.
  - CONTACT RESISTANCE: 30m Ohm Max.
  - INSULATION RESISTANCE: 100M Ohm Min
  - DIELECTRIC WITHSTANDING VOLTAGE: 100VRMS AC Min
- OPERATING TEMPERATURE: -55°C~+85°C
- SALT SPRAY 48HR PASS.
- RECOMMENED PROCESS: VAVE SOLDER 260+0°C/-5°C 5s.

PART NO:

14 1 - 5 1 B - 1 13 - L  
 14 : USB 3.0 FEMALE  
 1 : FOR SINGLE  
 5 : FOR UPRIGHT  
 1 : FOR SUS201  
 B : FOR BLUE 300C  
 1 : FOR GOLD FLASH  
 13 : SERIES NO.  
 L : FOR LEAD FREE

廷奕科技股份有限公司  
 VITETECH CO., LTD

REV.	ECN. NO.	APP.	DATE
A	Official Publish	OW	APR/08/20

RoHS COMPLIANT			
DIMENSION CLASSIFICATION			
Ⓞ : CRITICAL Ⓢ : MAJOR ( ) : REFERENCE			
REVISED A			
DRAW	CHK' D	APPROVE	DATE
OW	JACK	ALAN	APR/08/20

PRODUCT CUSTOMER COPY	
SCALE	SHEET
1:1	
GENERAL TOLERANCE	
X. ±0.50	.X ±0.40
.XX ±0.35	
.XXX ±0.05	
X.'	.X'

PART NO:	141-51B-113-L
DWG NAME:	USB3.0 AF GEN1 UPRIGHT REC PIP 全包式 14.12H

1

2

3

4