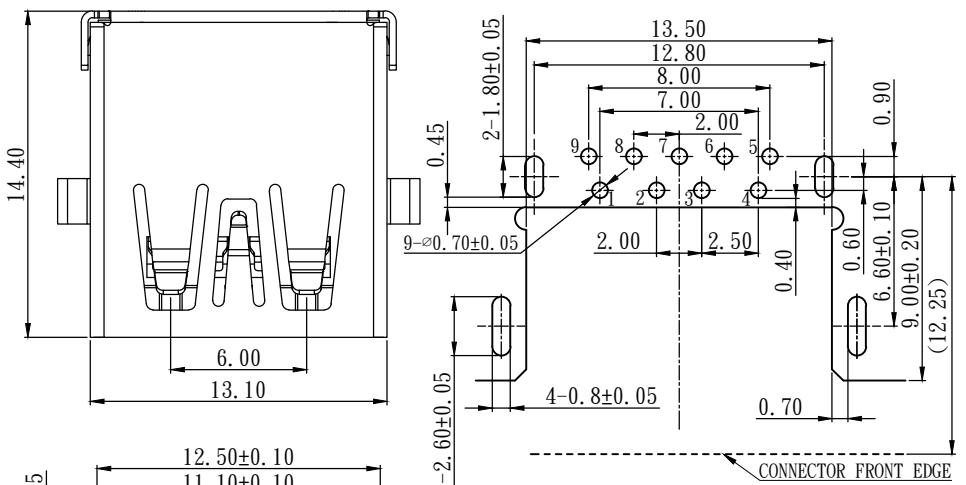
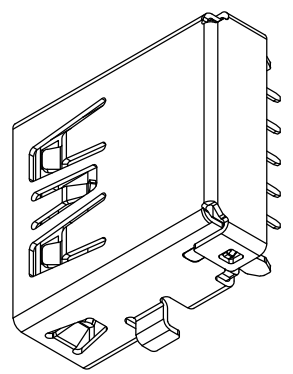


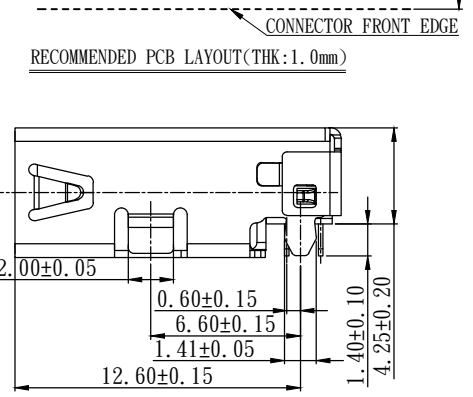
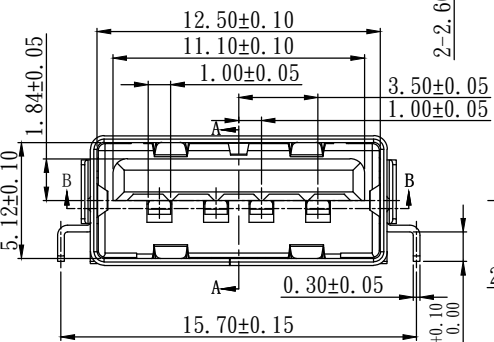
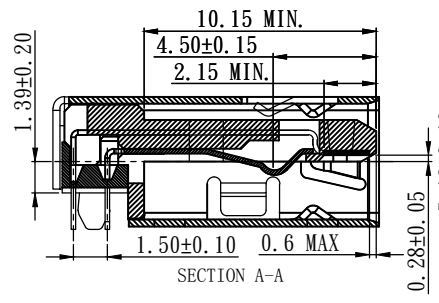
A

A



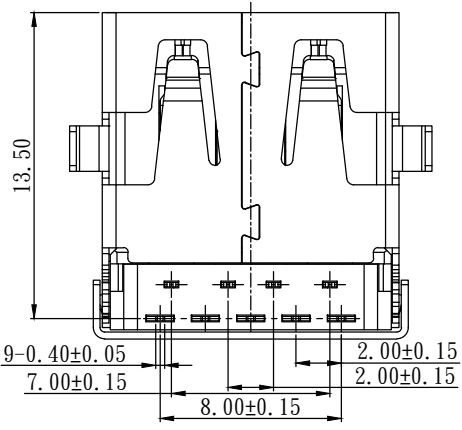
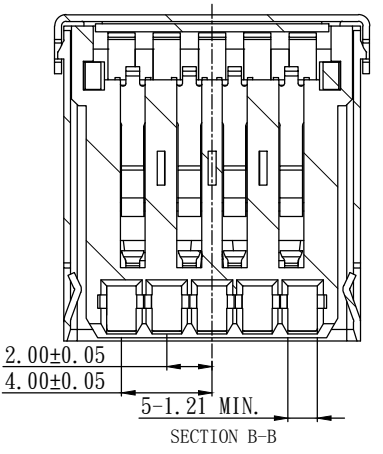
B

B



C

C



PIN ASSIGNMENT

PIN NO.	SIGNAL NAME
1	VBUS
2	D-
3	D+
4	GND
5	SSRX-
6	SSRX+
7	GND-DRAIN
8	SSTX-
9	SSTX+

NOTE:

- MATERIAL:
  - HOUSING: LCP UL94V-0 COLOR: BLACK
  - CANTACT 2.0: C5191 (T=0.20mm)
  - CANTACT 3.0: C2680 (T=0.20mm)
  - SHELL: SUS201 (T=0.3mm)
- PLATING:
  - CANTACT:
    - NICKEL(50u" MIN) PLATED OVERALL
    - MATTE TIN(80u"MIN) PLATED ON SOLDER AREA
    - GOLD FLASH PLATED ON CONTACT AREA
  - SHELL: NICKEL(80u"MIN.) PLATED OVERALL
- ELECTRICAL CHARACTERISTIC:
  - CONTACT RESISTANCE: 30mΩ MAX
  - CONTACT CURRENT RATING:
    - 1.8A FOR PIN 1 & PIN 4,
    - 0.25A OTHER CONTACTS.
  - DIELECTRIC WITHSTANDING VOLTAGE: DC 500 V
  - INSULATION RESISTANCE: 100 MΩ MIN.
  - OPERATING TEMPERATURE: -40°C ~ 85°C
- MECHANICAL CHARACTERISTIC:
  - MATING FORCE: 35N MAX
  - UNMATED FORCE: 10N~25N MIN
  - DURABILITY: 5,000 CYCLES
- SALT SPRAY 48HR PASS.
- REFLOW SOLDERING (SMD COMPONENT), OVEN TEMPERATURE: 260°C' 5 sec.

PART NO:

1D 1 - 1 1 A - 1 38 - H  
 1D : USB3.1  
 1 : FOR SINGLE  
 1 : FOR 90° DIP  
 1 : FOR SUS201  
 A : FOR BLACK  
 1 : FOR GOLD FLASH  
 38 : SERIES NO.  
 H : FOR LEAD/HALOGEN FREE

D

D

廷奕科技股份有限公司  
 VITETECH CO., LTD

REV.	ECN. NO.	APP.	DATE
A	Official Publish	OW	AUG/19/20

RoHS COMPLIANT			
DIMENSION CLASSIFICATION			
◎: CRITICAL    ◉: MAJOR    ( ): REFERENCE			
REVISED	A		
DRAW	CHK'D	APPROVE	DATE
OW	JACK	ALAN	AUG/19/20

PRODUCT CUSTOMER COPY	
SCALE	SHEET
1:1	
GENERAL TOLERANCE	
X. ±0.30	.X ±0.25
.XX ±0.20	
.XXX ±0.05	
X.'	.X'

PART NO:	1D1-11A-138-H
DWG NAME:	USB 3.1 AF 90° GEN2 PIP H4.25